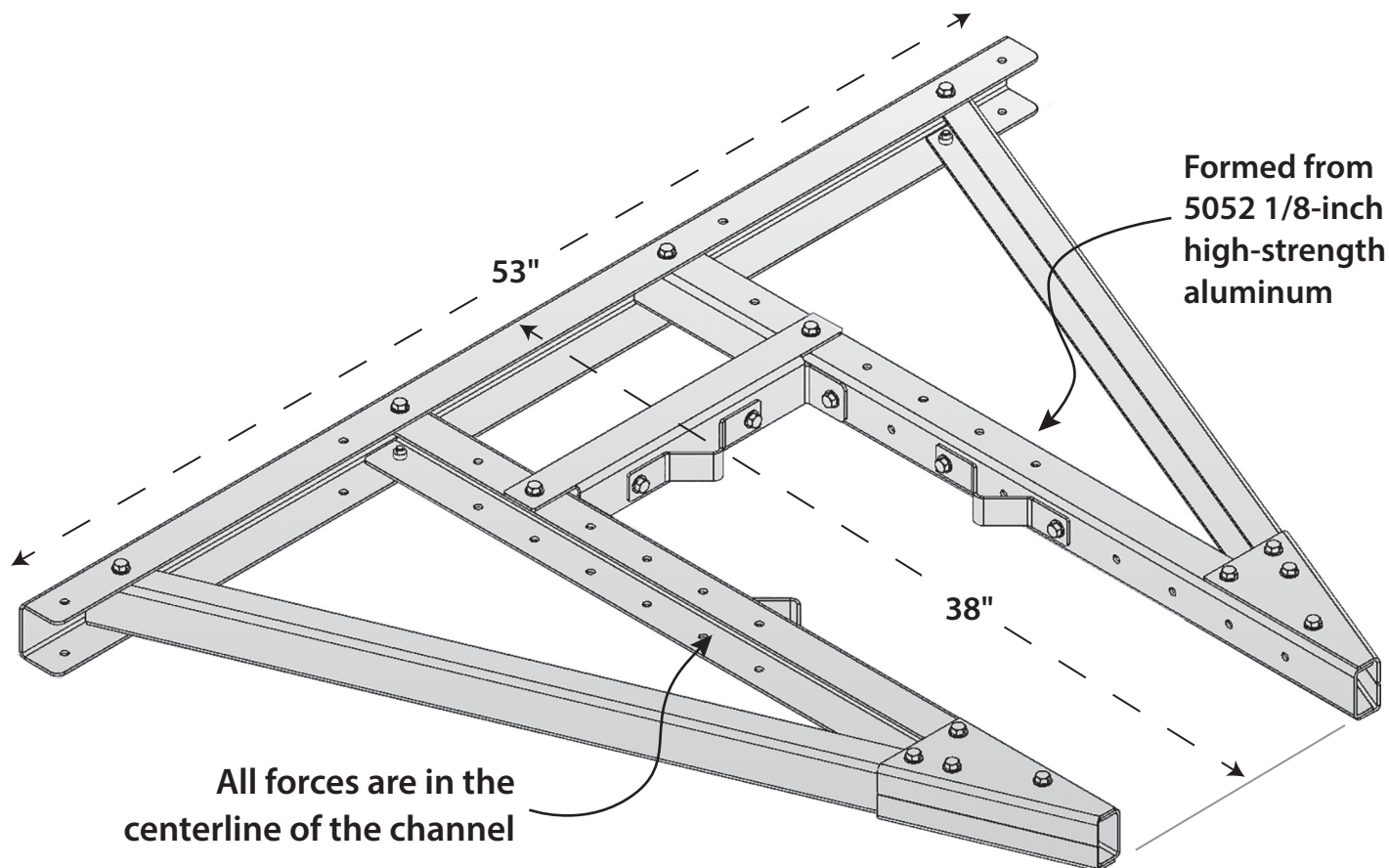


Carlson House Bracket

Fits 25G Series Towers

Half the weight and twice the strength of the competition!



\$359

Weight: 19 lbs. ■ Easy Assembly



Carlson Roof Towers

A SOLID BASE FOR CLEAR COMMUNICATION

www.rooftowers.com • sales@rooftowers.com